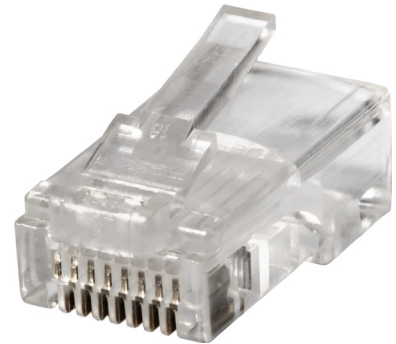




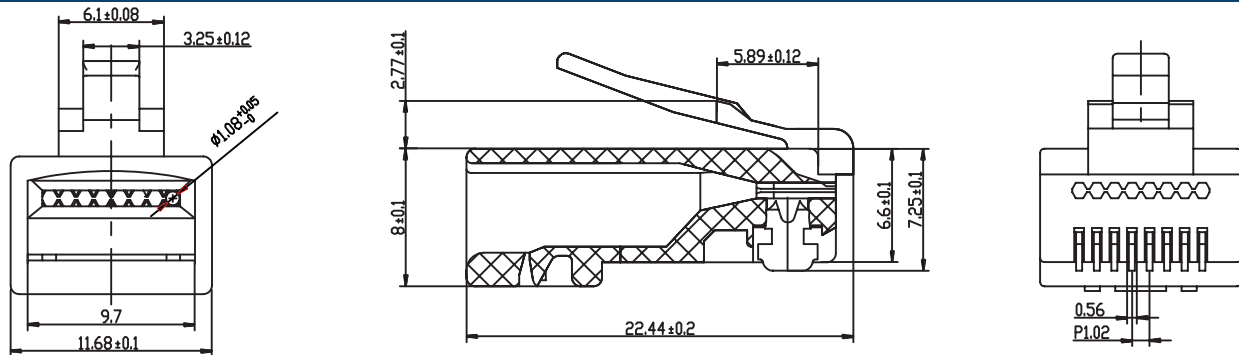
|             |         |
|-------------|---------|
| CONTRACTOR  |         |
| PROJECT     | DATE    |
| PREPARED BY | MODEL : |

## SERIES SPECIFICATIONS

RJ45 8P8C Cat5e Modular Plug



## LINE DRAWING



## CONSTRUCTION

**Housing Material**  
Polycarbonate

**Shield Material**  
H65Y, T=0.2mm

**Contact Material**  
Phosphor Bronze, T=0.35

## ELECTRICAL INFORMATION

**Insulation Resistance**  
>500 Megaohms min.

**Withstand Voltage**  
1000V, DC/minute

**Durability**  
750 mating circles/minute

## ORDERING INFORMATION

| SKU       | IMS CODE  |
|-----------|-----------|
| RJ 45 PT5 | 0493-0857 |

APPLICATION AND PERFORMANCE SPECIFICATION INFORMATION IS SUBJECT TO CHANGE WITHOUT NOTIFICATION



404 NW ENTERPRISE DR. PORT ST. LUCIE, FL 34986 | 772.408.5213 | WWW.RPP-USA.COM