



MODEL :		TYPE
PROJECT :		
PREPARED BY :	DATE :	

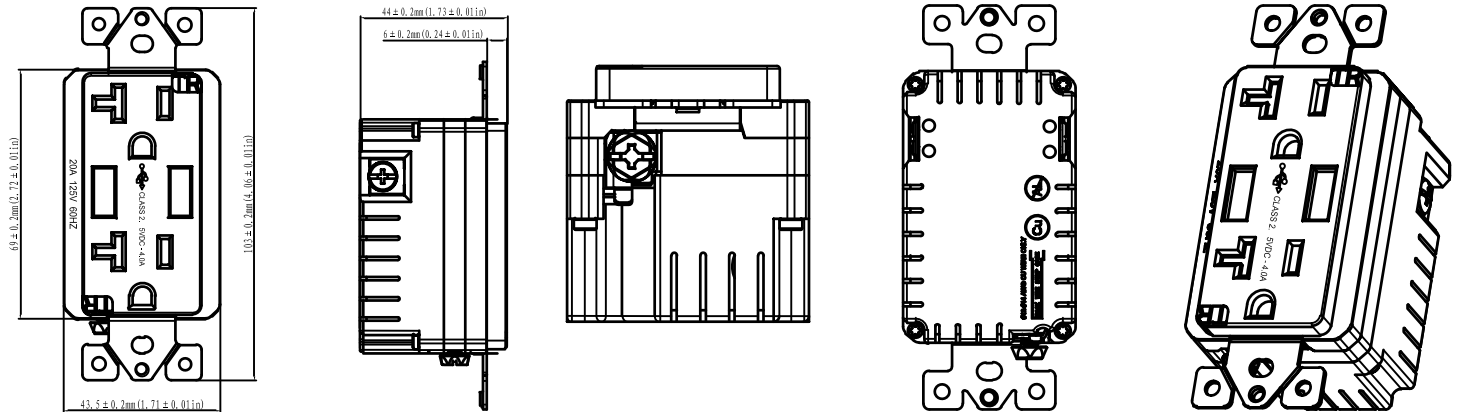
SERIES SPECIFICATIONS

DUAL USB CHARGER 20A DUPLEX TAMPER RESISTANT RECEPTACLE

- 2 USB ports with a power of 4A, 5VDC
- Charge most compatible electrical devices directly without an adapter
- Tamper-Resistant shutters provide compliance with 2011 NEC code
- Replace a standard duplex receptacle
- Back and side wire for easy installation



LINE DRAWING



CONSTRUCTION

No. of Plugs
2

USB Ports
2

Wire Terminals
#14-#12 AWG

ELECTRICAL SPECIFICATIONS

Output Voltage
5VDC

Amperage
4A

Receptacle Rating
20A, 125VAC

Operating Temp.
-4°F ~ 140°F (-20°C ~ 60°C)

USB Compatibility
USB 1.1, 2.0, 3.0 devices
(including Apple products)

Strip Length
0.5 Inch (back wire holes)
1 Inch (screw terminal)

APPLICATION AND PERFORMANCE SPECIFICATION INFORMATION IS SUBJECT TO CHANGE WITHOUT NOTIFICATION





MODEL :		TYPE
PROJECT :		
PREPARED BY :	DATE :	

DEVICE COMPATIBILITY

iPad®	iPhone®	iPad® Mini
iPod®	Tablets	GPS
Mobile Phones	Galaxy Tab™	Blackberry®
Android Phones	Bluetooth™ Headsets	Windows® Phone by HTC
Digital Cameras	Kindle™, Nook e-reader	Other USB compatible products

CERTIFICATIONS/WARRANTY

Listing
UL Listed

Warranty
Guaranteed for two years from the purchase date of the product, against mechanical defects in manufacturing.

ORDERING INFORMATION

Part Number: USB20WH

Box Qty : 1

Weight (Lbs) : 0.45

Carton Qty. : 10

IMS Code : 0315-2079

Master Carton Qty. : 40

APPLICATION AND PERFORMANCE SPECIFICATION INFORMATION IS SUBJECT TO CHANGE WITHOUT NOTIFICATION



404 NW ENTERPRISE DR. PORT ST. LUCIE, FL 34986 | 772.408.5213 | WWW.RPP-USA.COM